

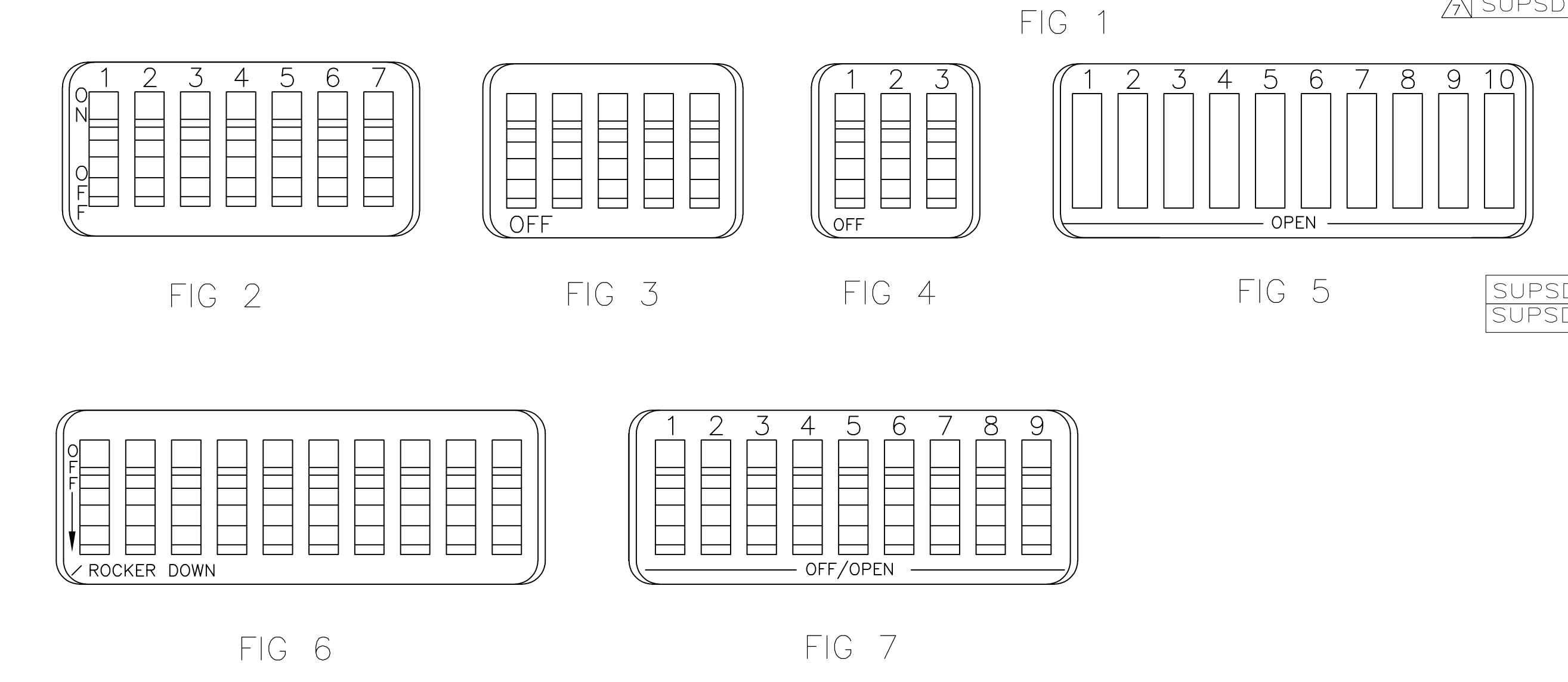
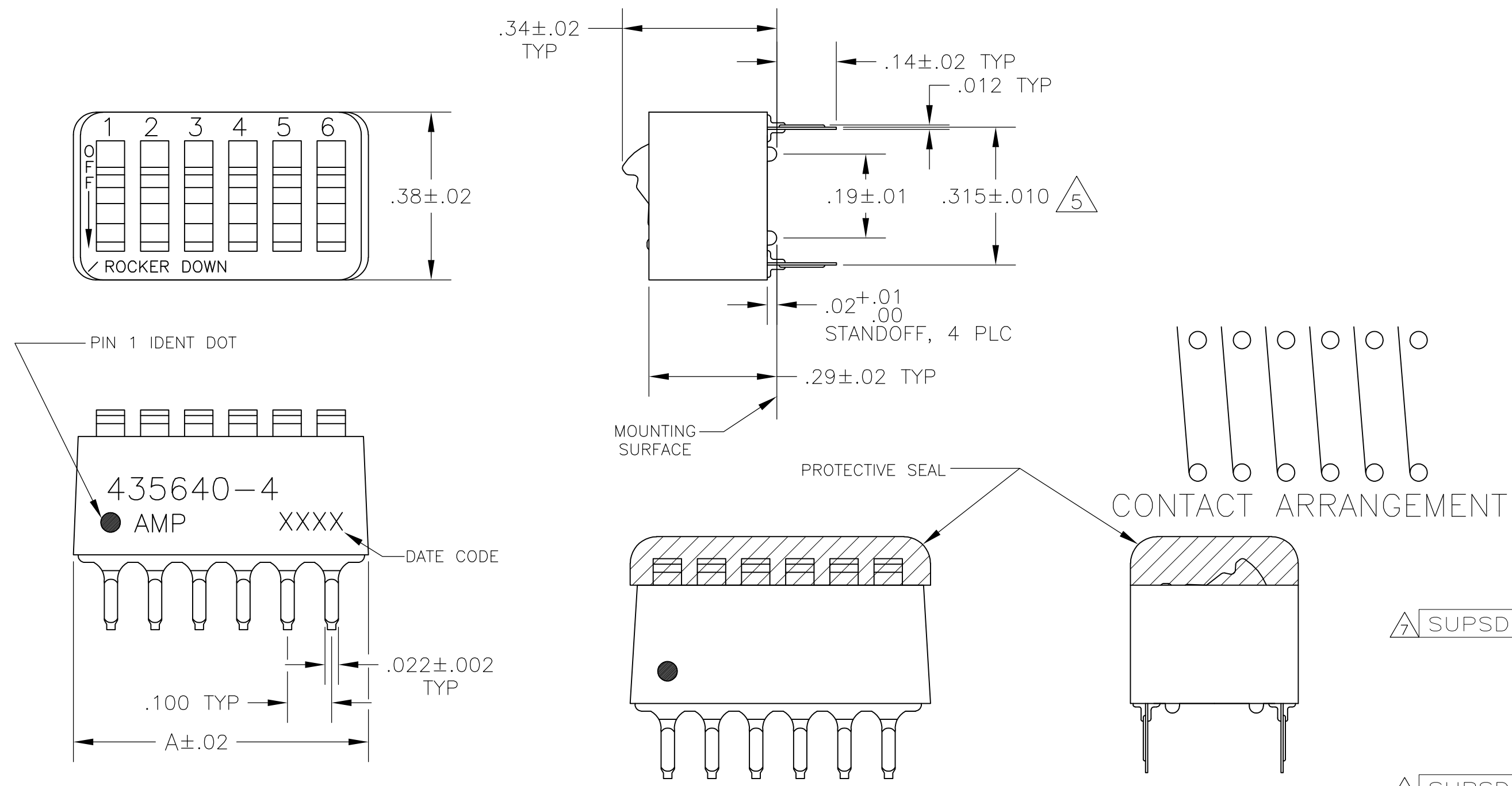
THIS DRAWING IS UNPUBLISHED. RELEASED FOR PUBLICATION
 © COPYRIGHT - By - ALL RIGHTS RESERVED.

Loc		DIST		REVISIONS			
P	LTR	DESCRIPTION	DATE	DWN	APVD		
AD	00	AM3	REVISED PER ECO-11-004587	11MAR11	RK	HMR	

- FOR ADDITIONAL SPECIFICATIONS SEE AMP PRODUCT SPEC 108-7532.
- SWITCH SHOWN IN OPEN POSITION.
- ALL CHARACTERS AND ROCKERS ARE WHITE, HOUSING IS BLUE.
- STAMPING WILL VARY ON 2 AND 3 POSITION SIDES DUE TO SPACE RESTRICTIONS.

- △ .315 DIMENSION APPLIES AT TERMINAL TIPS. TERMINALS ARE .300-.000 AT MOUNTING SURFACE.
- △ STRIPPABLE TRANSPARENT SEAL, SEE FIG 1.

△ OBSOLETE	FIG 6		1.08	10	6-435640-1
			.58	5	6-435640-0
△ OBSOLETE	FIG 7		.48	4	5-435640-9
			.88	8	5-435640-8
			.98	9	5-435640-7
△ OBSOLETE	FIG 5	△ 6	.68	6	5-435640-6
			.58	5	5-435640-5
△ SUPSD BY 5-5435640-4			.48	4	5-435640-4
△ OBSOLETE	FIG 2	△ 6	.88	8	5-435640-3
	FIG 5	△ 6	.88	8	5-435640-2
			1.08	10	5-435640-1
	FIG 3	△ 6	.88	8	5-435640-0
△ SUPSD BY 4-5435640-8			.88	8	4-435640-9
			.58	5	4-435640-8
	NONE		1.08	10	4-435640-7
			1.28	12	4-435640-3
			1.08	10	4-435640-1
			.98	9	4-435640-0
	AS SHOWN	△ 6	.88	8	3-435640-9
			.78	7	3-435640-8
			.68	6	3-435640-7
			.58	5	3-435640-6
			.48	4	3-435640-5
			.38	3	3-435640-4
SUPSD BY 3-435668-3	FIG 4		.28	2	3-435640-3
SUPSD BY 2-435668-6 3-1589670-4	AS SHOWN		1.28	12	3-435640-2
	FIG 4		.38	3	3-435640-0
			.28	2	2-435640-9
△ OBSOLETE	FIG 2		.78	7	2-435640-2
			1.08	10	435640-7
			.98	9	435640-6
			.88	8	435640-5
	AS SHOWN		.68	6	435640-4
			.58	5	435640-3
			.48	4	435640-2
			.78	7	435640-1
	TOP MARKING				
	PROTECTIVE SEAL	A			
	NO OF POSN				
	PART NO.				



△ OBSOLETE PARTS: OBSOLETE CIS STREAMLINING PER D.RENAUD/D.SINISI

THIS DRAWING IS A CONTROLLED DOCUMENT.		DWN	R.TALLEY	15NOV89
DIMENSIONS: INCHES		CHK	R.L.MILLER	06MARGO
TOLERANCES UNLESS OTHERWISE SPECIFIED:		APVD	H.LEITER	06MARGO
0 PLC ± -		PRODUCT SPEC		
1 PLC ± -		APPLICATION SPEC		
2 PLC ± -				
3 PLC ± .005				
4 PLC ± -				
ANGLES ± -				
MATERIAL	FINISH	WEIGHT	A2 00779 C=435640	
HOUSING & ROCKERS; POLYESTER	CONTACTS: PLATED .000030 MIN GOLD IN CONTACT AREA OVER .000050 MIN NICKEL		CUSTOMER DRAWING	
CONTACTS; COPPER ALLOY			SCALE	4:1
			SHEET	1 of 1
			REV	AM3